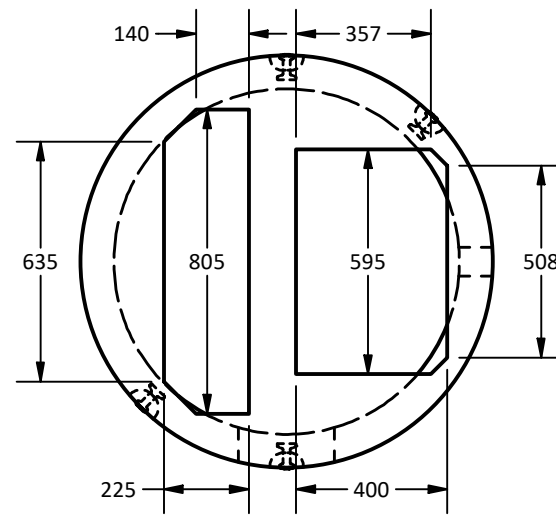
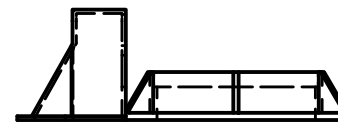


PART LIST				
ITEM	QTY	JOB NUMBER	PART NUMBER	MASS
1	1		Ø750mm x 900mm CB	707.37 kg
2	1		Ø750mm CB Lid	156.26 kg
3	1		Ø900mm x 900mm CB	879.46 kg
4	1		Ø900mm CB Lid	214.66 kg
5	4		2.5T x 68mm Lifting Inserts	0.01 kg
6	4		5T x 65mm Lifting Inserts	0.04 kg
7	1		TR 24 AAF	56.9 kg
8	1		TR 23 RLG	59.56 kg
9	1		TR 39 Frame	57.2 kg
10	1		TR 39 B Side Inlet	43.61 kg
11	1		mettal bend	0.22 kg

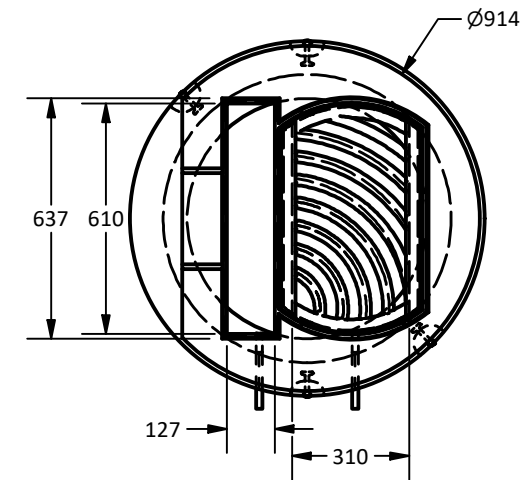
- Notes:
1. Reinforced Ø762mm & Ø914mm catch basin with core as shown manufactured to meet ASTM C478 specification.
 2. Unit supplied with 152mm thick Lid as shown.
 3. Unit supplied with 152mm thick base as shown.
 4. Core to be Ø254mm as shown (Core can be adjusted per clients request)
 5. Pipe stub shown for reference purposes only
 6. Unit supplied w/ lifting insert as required. Starcon style min. 5T/ 65mm & 2.5T/ 65mm lifting inserts to be used.
 7. Min. concrete strength: 30 MPa.
 8. Minimum rebar yield strength: 400 MPa. (Steel Grade: CSA G30.18-400 Weldable)
 9. WWF minimum yield strength: 485 MPa (Steel Grade: ASTM A1064).
 10. All dimensions are in millimeters unless otherwise specified.



TR39 Side Inlet Opening
Concrete Lid Plan View



TR39B Storm Side Inlet - TR39 Frame



TR23/24 Adjustable Curb Style
Set on Concrete Lid Plan View

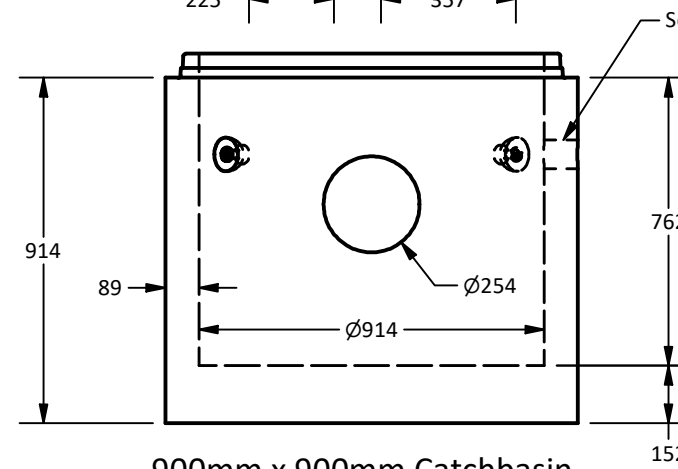
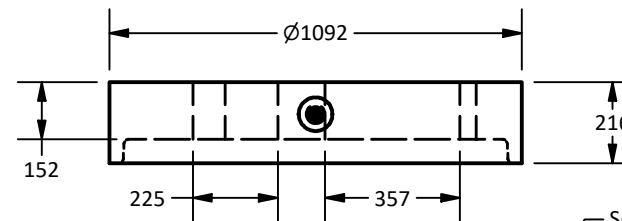


TR24 Adjustable Hood & Frame Set - Takes TR23 Grate



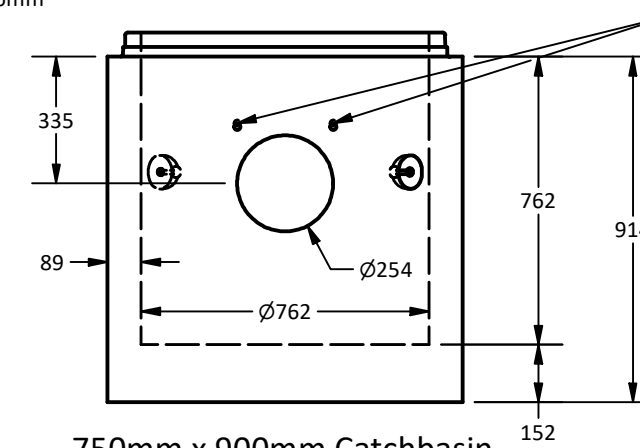
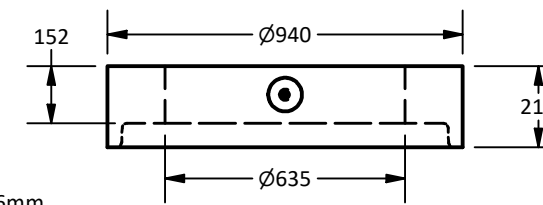
Isometric View

Lid To Fit Ø900 Barrel



900mm x 900mm Catchbasin

Lid To Fit Ø750 Barrel



750mm x 900mm Catchbasin

Trapping Hood Pins:
2-16 mm Ø x 200 mm Long
Hot Dipped Galvanized Rods
(c/w 10 mm Bend Upward,
50mm From The End)

Langley Concrete Group is a certified Q-Cast Plant, an American Concrete Pipe Association Third Party Certification for the manufacture of Pipe, Manhole, Box Culvert & Precast Items.



All Dimensions are in Millimeters. Unless otherwise Stated



The **LANGLEY CONCRETE** Group of Companies
www.langleyconcretegroup.com
LANGLEY (604) 533-1656
DUNCAN (250) 478-9581
CHILLIWACK 1-800 667-9600

This drawing is the property of the Langley Concrete Group of Companies. All information contained herein is confidential and may not be used in whole or in part without written permission from the owner

DESCRIPTION:

Side Inlet Castings, Lid, and CBs

DRAWN BY: DM

DWG NO.: CB-7

CHK BY: SR

JOB NO.:

DATE: 22-Apr-2025

SO NO.:

SCALE: 1:20

REV.:

SIZE: 11 x 17

SHEET 1 OF 1

Quality Assurance of products manufactured by The Langley Concrete Group has been verified by the following third party certification programs



Projection Method: THIRD ANGLE

