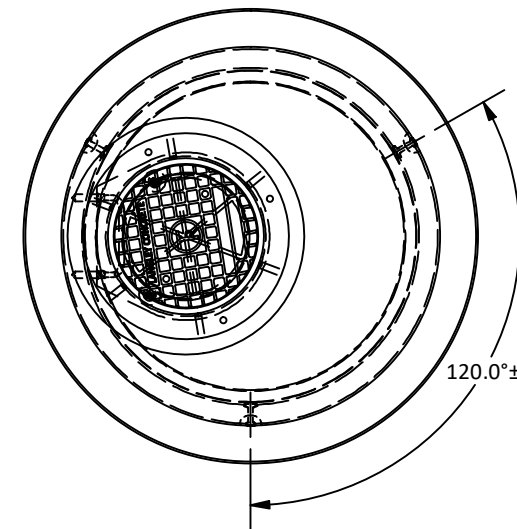
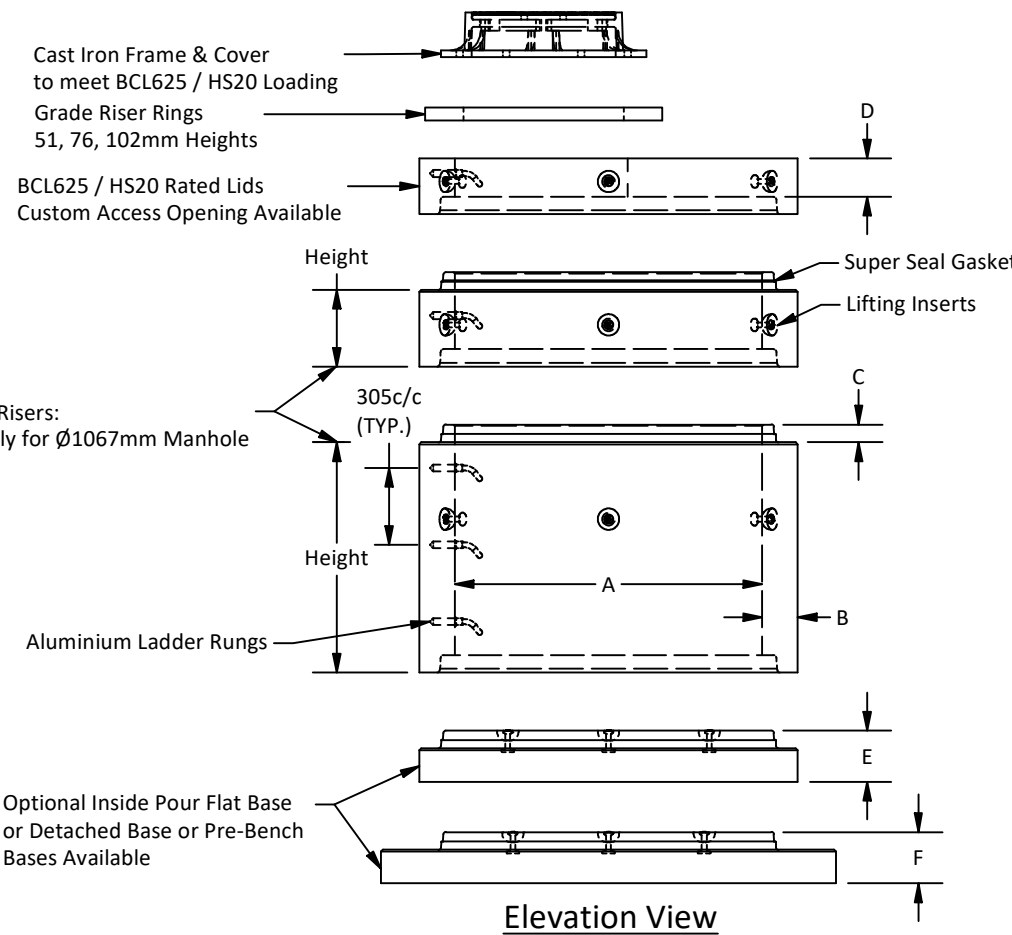


Langley Concrete Group - Mainland Manhole Dimensions

MH Diameter [A] (mm)	Wall Thickness [B] (mm)	Joint Height [C] (mm)	Lid Thickness [D] (mm)	Base Thickness [E] (mm)	Extended Base Thickness [F](mm)
914	102	70	152	152	152
1067	121	70	152	152	152
1219	128	108	152	203	203
1372	140	108	203	203	203
1524	152	121	203	203	254
1829	178	127	203	203	254
2438	229	130	280	254	254
3048	279	152	305	305	305



Plan View



Standard Manhole Risers:
 0.152m Height - Only for Ø1067mm Manhole
 0.305m Height
 0.610m Height
 0.914m Height
 1.219m Height



Isometric View

Note:

1. Manhole manufactured to ASTM C478 and CSA 257.4 specifications.
2. Concrete designed to withstand HS20 / BCL 625 live loadings.
3. Unit supplied with Alum. ladder rungs as required.
4. Unit supplied with lifting insert as required. Starcon style lifting inserts to be used.
Note: Sling angle to the vertical no more than 15°.
5. WWF minimum yield strength: 485 MPa.
6. Minimum rebar yield strength: 400 MPa. (Steel Grade: CSA G30.18-400 Weldable)
7. Unit supplied with Tylox Super Seal Gasket System for water and soil/silt tight gasket and joint to meet or exceed ASTM C443, ASTM C1619 and CSA A-257.3.
8. Minimum concrete strength:
Barrel: 30 MPa.
Lid & Base: 35 MPa.
9. All reinforcing to have minimum 25.4 mm of concrete cover.
10. All dimensions are in millimeters unless otherwise specified.

Amrize Canada Inc. BC Pipe and Precast are certified Q-Cast Plants, an American Concrete Pipe Association Third Party Certification for the manufacture of Pipe, Manhole, Box Culvert and Precast Items.



All Dimensions are in Millimeters. Unless otherwise Stated



www.amrize.com
 CHILLIWACK 1-800 667-9600 / (604) 533-1656
 DUNCAN (250) 478-9581

This drawing is the property of the Amrize Canada Inc. All information contained here in is confidential and may not be used in whole or in part without written permission from the owner.

DESCRIPTION:

Ø914 - 3048mm Superseal Gasket Manhole Details
 Designed for BCL625 / HS20 Loading and 5.0m Maximum Bury Depth

Quality Assurance of products manufactured by Amrize Canada Inc. BC Pipe and Precast has been verified by the following third party certification programs.



Projection Method: THIRD ANGLE



DRAWN BY: SR	DWG NO.:
CHK BY: MP	JOB NO.: SSM-1.0
DATE: 11-Jul-25	SO NO.:
SCALE: 1:20	REV.:
SIZE: 11 x 17	SHEET 1 OF 1