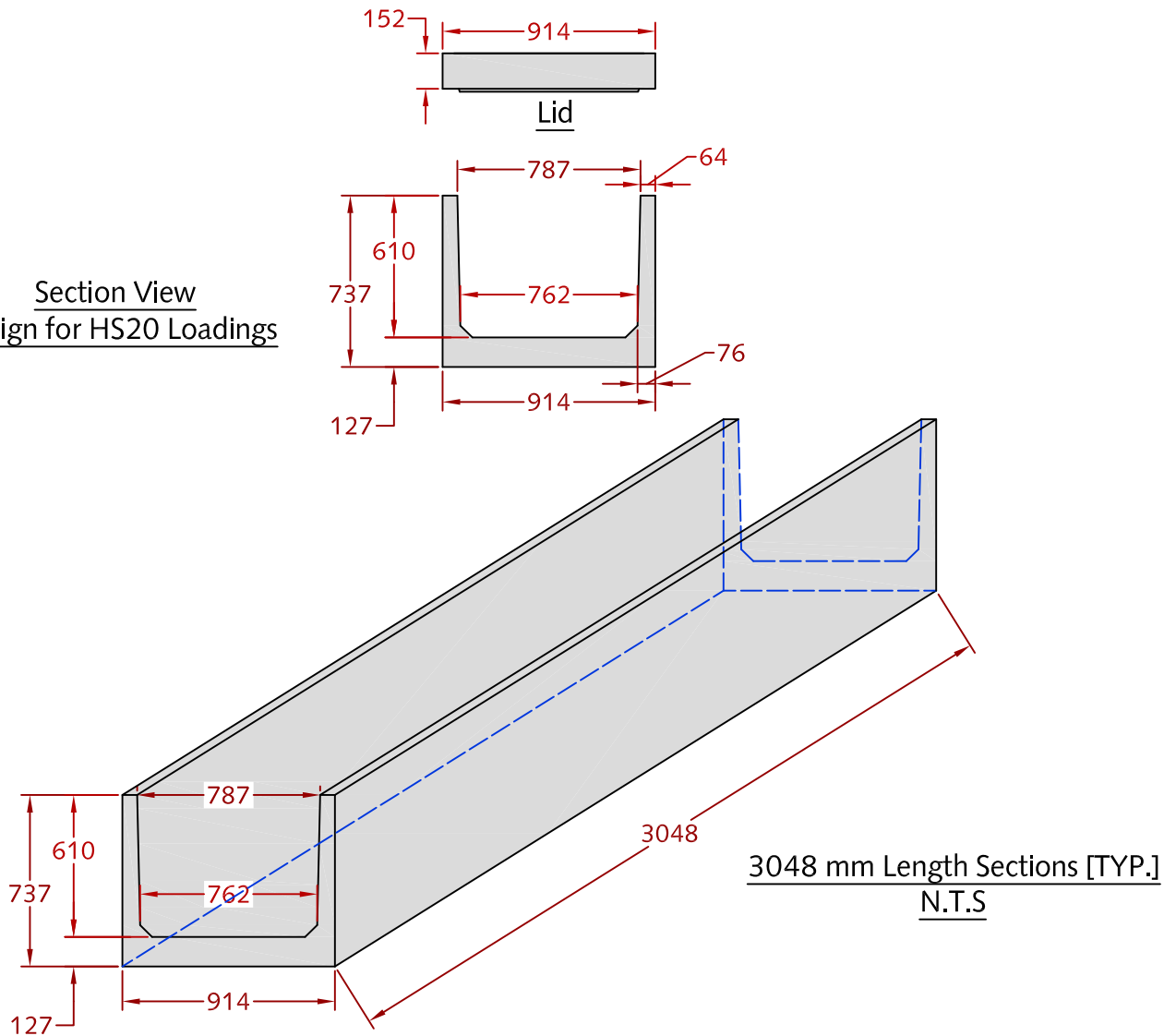


Section View
Design for HS20 Loadings



Notes:

1. 3048 x 762 x 610 mm Precast Cable Trench as shown.
2. Unit designed to withstand HS20 live loading as required.
3. Unit supplied w/ Starcon style lifting inserts as required.
4. Unit supplied with 3048 x 914 x 152 mm Reinforced Concrete Lid, designed to withstand HS20 live loading.
5. Minimum concrete strength: 35 MPa.
6. Welded wire mesh min. yield strength: 448 MPa.
7. Minimum rebar yield strength: 414 MPa.
8. All reinforcing to have minimum of 25.4 mm concrete cover [TYP.].
9. Approximate mass:
 - Trench Box: 510 kg/m.
 - Trench Box weight/3.048 lm: 1,575 kg .
 - Lid [3048 L x 914 x 152 T mm]: 1,075 kg.
10. All dimensions are in millimeters.
11. Installation and Back Fill as per LCG's Trench Box Catalogue.
12. Langley Concrete Group is a certified Q-Cast Plant, an American Concrete Pipe Association Third Party Certification for the manufacture of Pipe, MH, Box Culvert & Precast Items.



DESCRIPTION:
3048 x 762 x 610 mm
Precast Cable Trench
Designed for HS20 Live Loading
www.langleyconcretegroup.com

DRAWN BY:	KS	ORIGIN:	CHWK
CHK BY:	JDB/SW	DWG NO:	PCT TYPE B
DATE:	APR/19/2011	REV DATE:	2. JUNE/17/2013
SCALE:	1:30		

This drawing is the property of the Langley Concrete Group of Companies. All information contained herein is confidential and may not be used in whole or in part without written permission from the owner.