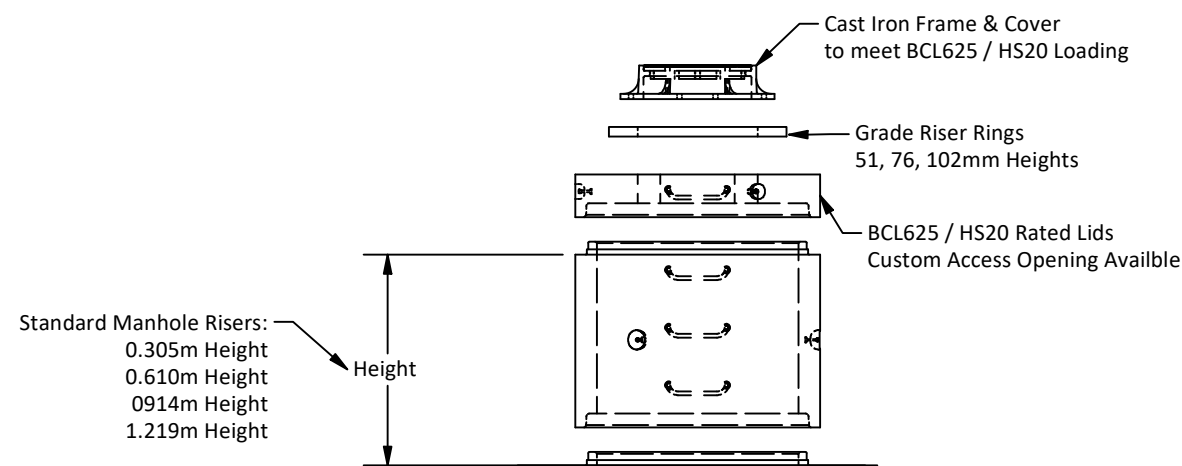
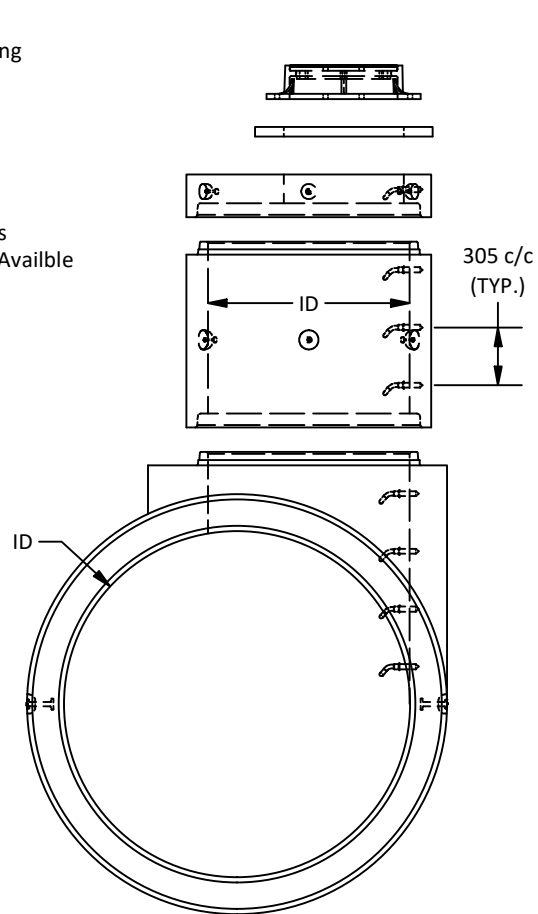


Plan View



Elevation View



Section View



Note:

1. Standard 1050 to 1200 manhole tee-offs pipe are available as shown. Custom options are available upon request.
2. Reinforced concrete pipe is manufactured to meet ASTM C76 specifications.
3. Manhole manufactured to ASTM C478 and CSA 257.4 specifications.
4. Supplied with ladder rungs as shown.
5. Different pipe sizes and manhole risers are available.
6. Minimum concrete strength meets or exceeds ASTM specifications.
7. Supplied with a Starcon-style lifting insert as required.
Note: Sling angle to vertical must not exceed 15°.
8. Unit supplied with Tylox SuperSeal Gasketed Joint for water & silt tight.
9. All dimensions are in millimeters unless otherwise specified.

Amrize Canada Inc. BC Pipe and Precast are certified Q-Cast Plants, an American Concrete Pipe Association Third Party Certification for the manufacture of Pipe, Manhole, Box Culvert and Precast Items.



All Dimensions are in Millimeters. Unless otherwise Stated



www.amrize.com
CHILLIWACK 1-800 667-9600 / (604) 533-1656
DUNCAN (250) 478-9581

This drawing is the property of the Amrize Canada Inc. All information contained here in is confidential and may not be used in whole or in part without written permission from the owner.

DESCRIPTION:

Manhole Tee Off ASTM C76
Reinforced Concrete Pipe

Quality Assurance of products manufactured by Amrize Canada Inc. BC Pipe and Precast has been verified by the following third party certification programs.



Projection Method:
THIRD ANGLE



DRAWN BY: SR	DWG NO.: MH-T-1.0
CHK BY: MP	JOB NO.:
DATE: 11-Jul-25	SO NO.:
SCALE: 1:40	REV.:
SIZE: 11 x 17	SHEET 1 OF 1