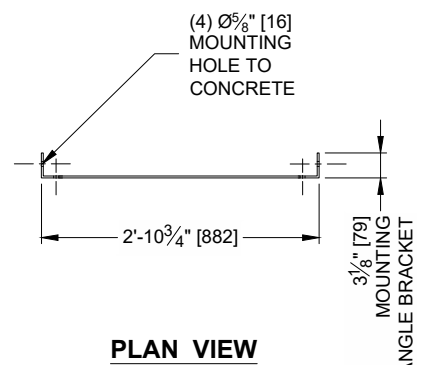
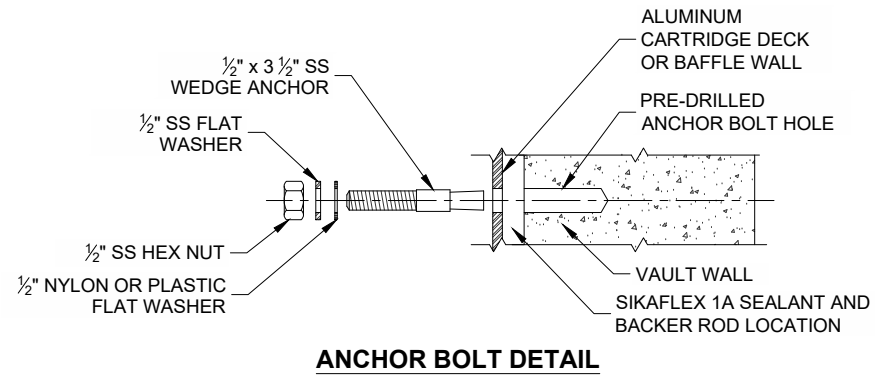
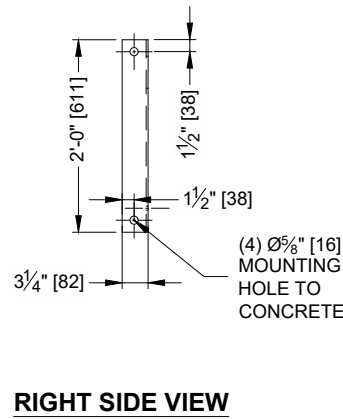
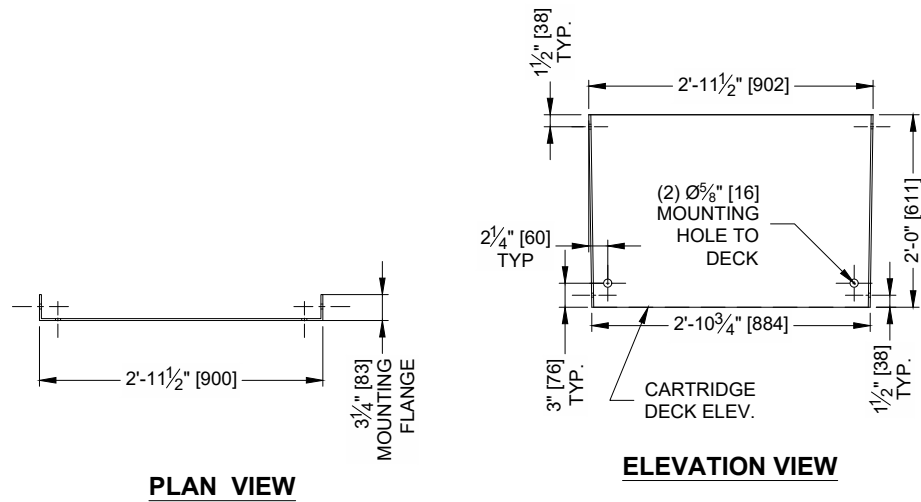
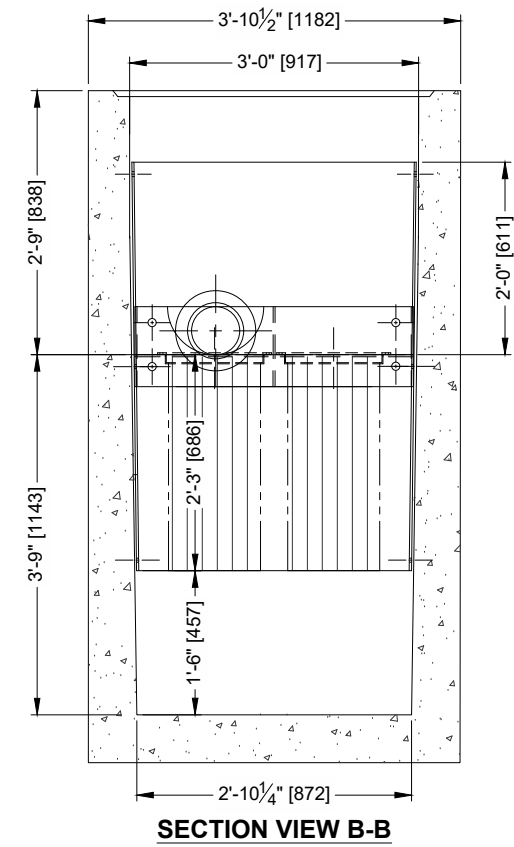
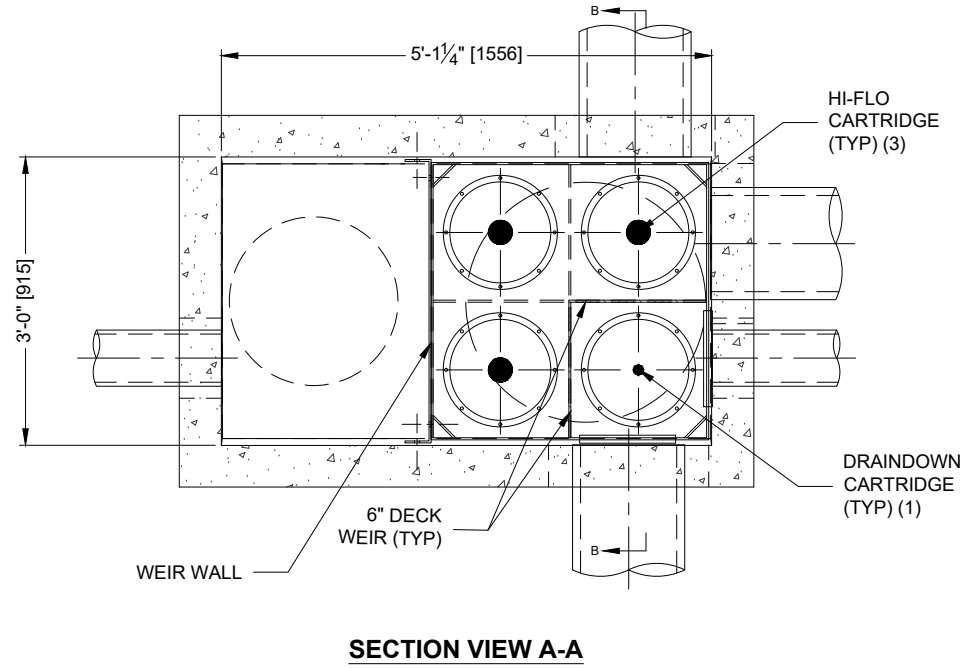
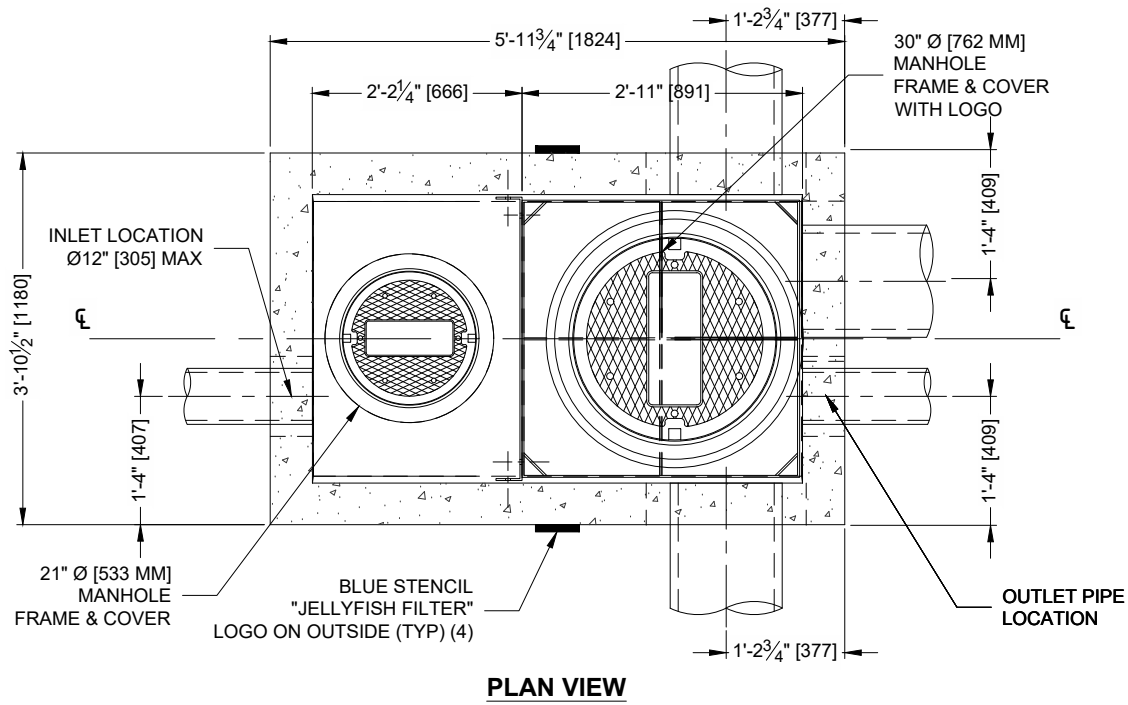
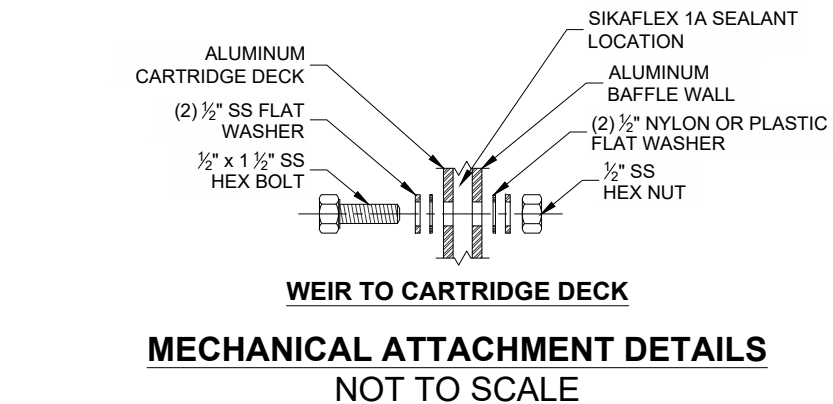
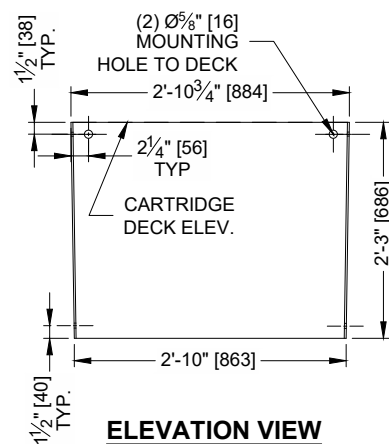




I:\IMBRIUM\PRODUCTS\JELLYFISH FILTER\4D DRAWINGS & DETAILS\STANDARD DETAILS\JELLYFISH FILTER - INLET VAULT\LANGLEY PROPOSAL DRAWINGS\OFFLINE\JFVLAN-1A-15C-27C-40C-OFFLINE - PROPOSAL.DWG 1/23/2023 3:27 PM



**JFVLAN-1A  
27" BAFFLE SKIRT DETAILS**



IMBRIUM  
**PROPOSAL**  
DRAWING

The design and information shown on this drawing is provided as a service to the project owner, engineer and contractor by Imbrium Systems ("Imbrium"). Neither this drawing nor the information contained herein is to be used or modified in any manner without the prior written consent of Imbrium. Failure to comply is done at the user's own risk and Imbrium expressly disclaims any liability or responsibility for such use.

If discrepancies between the supplied information upon which the drawing is based and actual field conditions are identified, the user shall be responsible for immediately notifying Imbrium. Imbrium accepts no liability for designs based on missing, incomplete or inaccurate information supplied by others.

MARK	DATE	REVISION DESCRIPTION	BY

OFFLINE: JFVLAN-1A-XX-XX-27C  
PROJECT: XXX



Langley Vault Type 1A  
Scale = 1:25

407 FAIRVIEW DRIVE, WHITBY, ON L1N 3J9  
TF 800-585-4801 CA 416-960-9900 INTL +1-416-960-9900  
JELLYFISH FILTER IS REGISTERED IN A CAD COUNTRY OF THE U.S.  
4250 SOUTH ALBERTA DRIVE, SUITE 200, DENVER, CO 80231  
IMBRIUM SYSTEMS, INC.

**Jellyfish® Filter**

DATE:	#####
DESIGNED:	DRAWN:
BSF	BSF
CHECKED:	APPROVED:
KS	BSF
PROJECT No.:	####
SHEET:	2 OF 3

