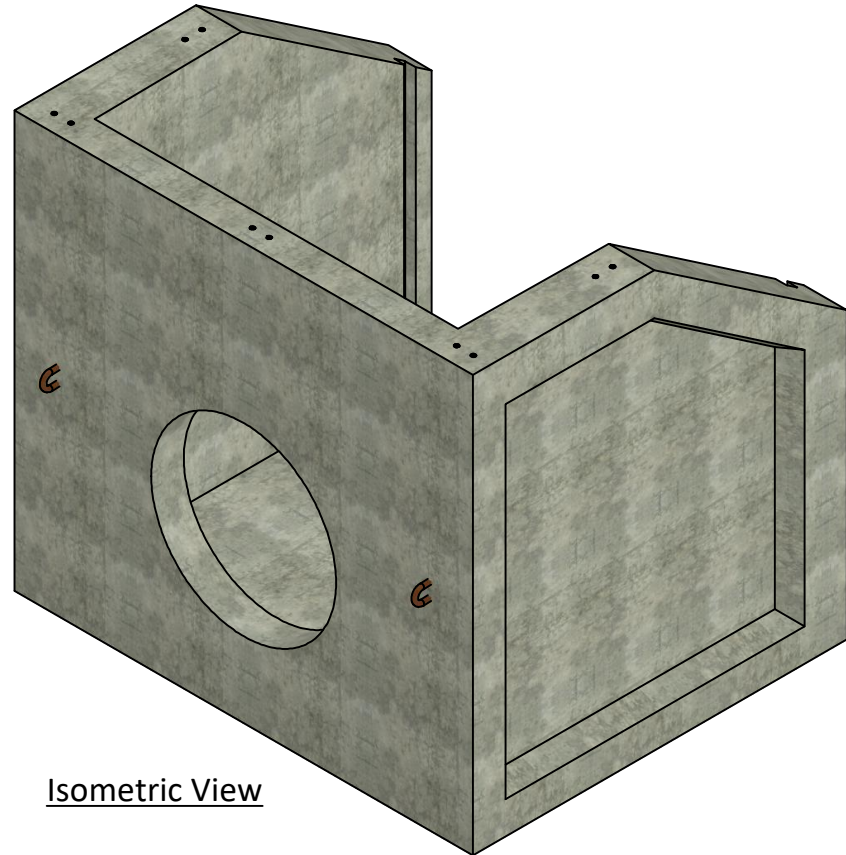


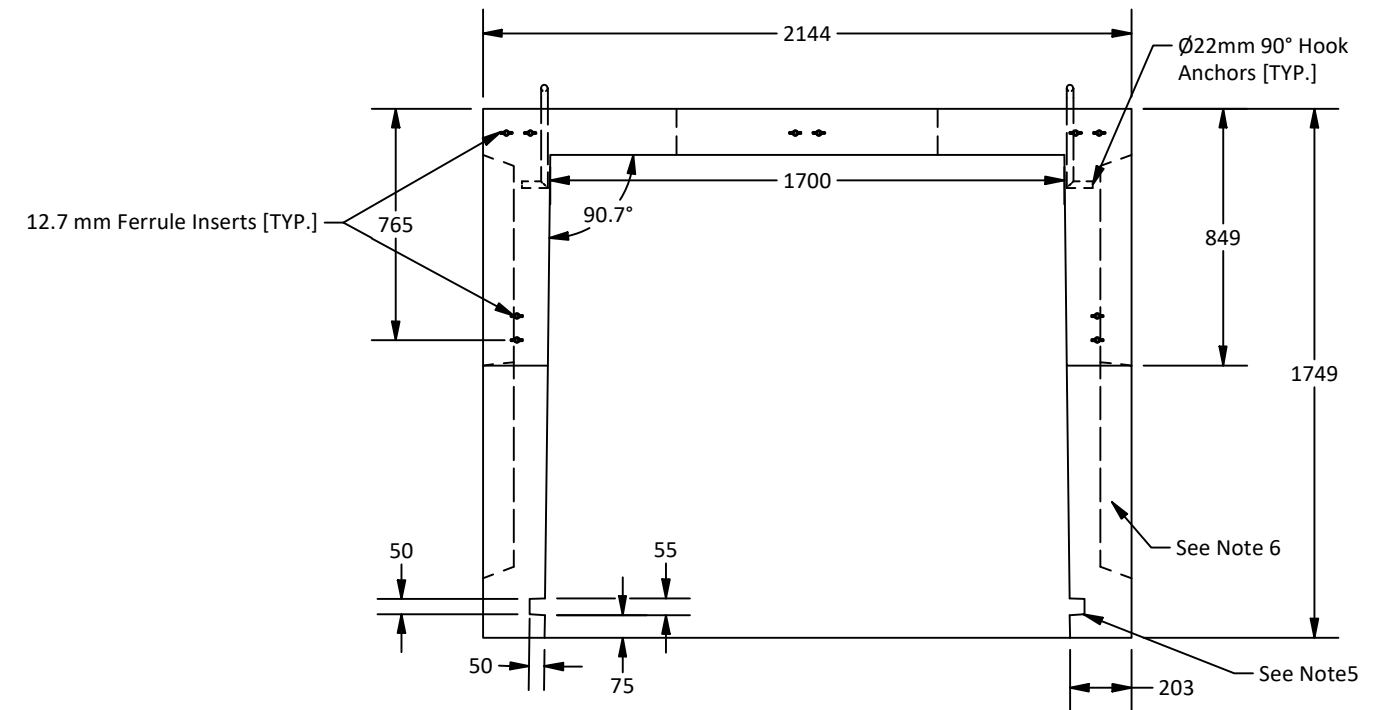
PART LIST		
QTY	PART NUMBER	MASS
1	Headwall	4361.57 kg
2	Anchor	2.25 kg
10	12 mm Ferrule Inserts	0.02 kg

Notes:

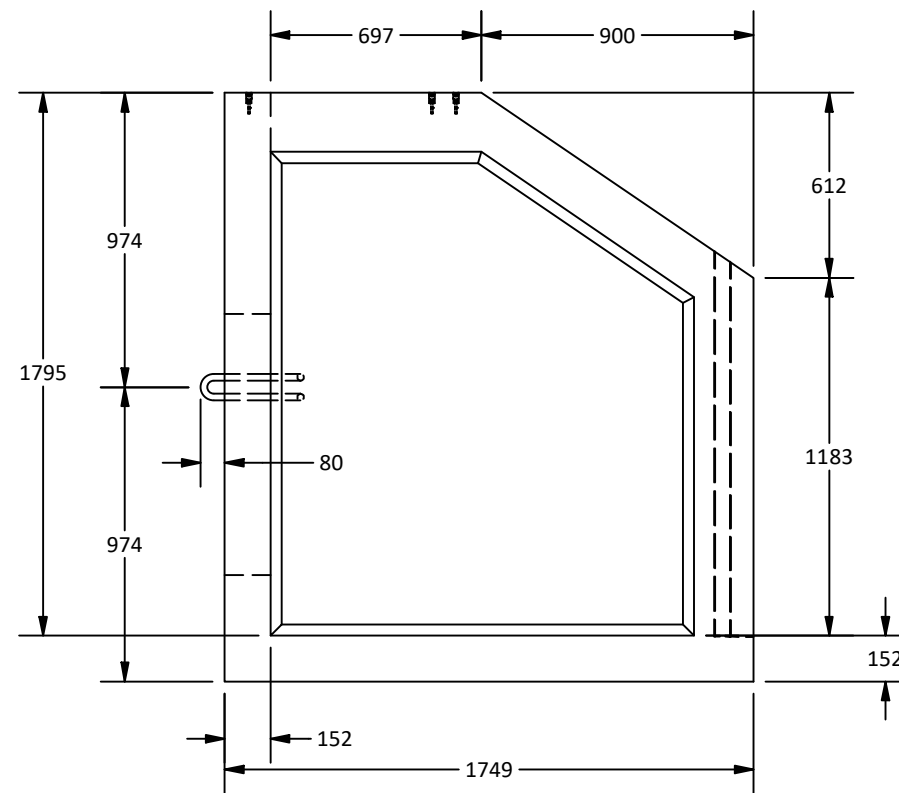
- 1.7 x 1.8 x 2.0 m headwall to be built as shown.
- Structure supplied with bolt anchors for handrails.
- Bolt on handrails are available upon request.
- Handrail to be Ø48.3 mm (1.9") Sch 40 steel pipe.
- Unit supplied with lifting inserts as required. Starcon style to be used.
Note: Sling angle to the vertical no more than 20°.
- 50 mm wide void/slot to be provided as shown.
- 1.6 x 1.4 x 0.102 m weight reduction area to be provided as shown.
- Minimum rebar yield strength: 400 MPa. (Steel Grade: CSA G30.18-400 Weldable)
- Minimum concrete strength: 35 MPa.
- Installation & backfilling is the responsibility of others.
- All dimensions are in millimeters unless otherwise specified.



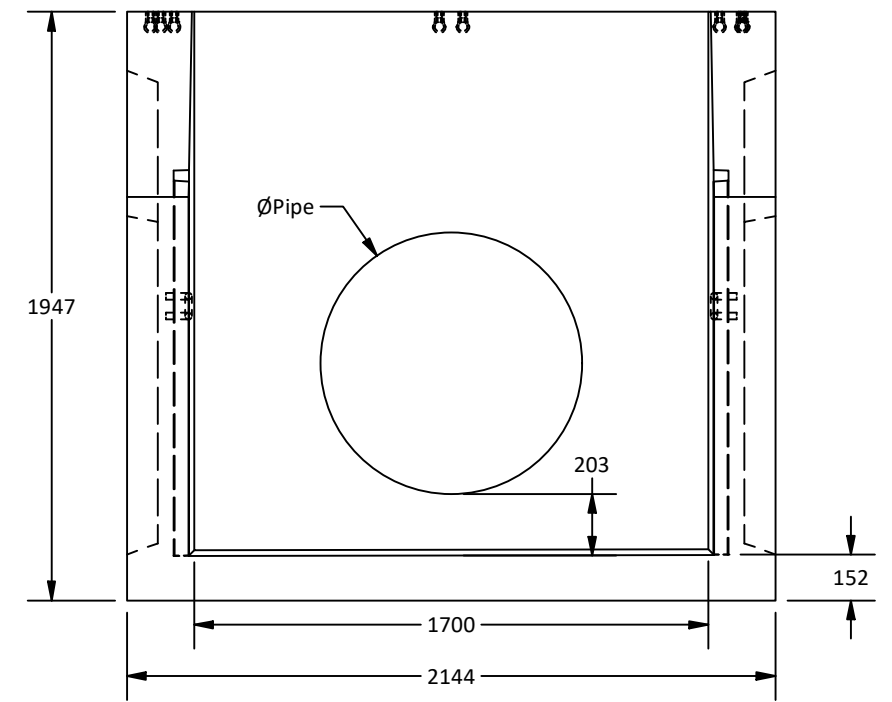
Isometric View



Plan View



Side View



Elevation View

Amrize Canada Inc. BC Pipe and Precast are certified Q-Cast Plants, an American Concrete Pipe Association Third Party Certification for the manufacture of Pipe, Manhole, Box Culvert and Precast Items.



All Dimensions are in Millimeters. Unless otherwise Stated



www.amrize.com
CHILLIWACK 1-800 667-9600 / (604) 533-1656
DUNCAN (250) 478-9581

DESCRIPTION:

17-18 Headwall Structure

DRAWN BY: SR

DWG NO.: HWS 17-18

CHK BY: MP

JOB NO.:

DATE: 25-Jul-25

SO NO.: N/A

SCALE: 1:25

REV.:

SIZE: 11 x 17

SHEET 1 OF 1

Quality Assurance of products manufactured by Amrize Canada Inc. BC Pipe and Precast has been verified by the following third party certification programs.



Projection Method: THIRD ANGLE



This drawing is the property of the Amrize Canada Inc. All information contained here in is confidential and may not be used in whole or in part without written permission from the owner.