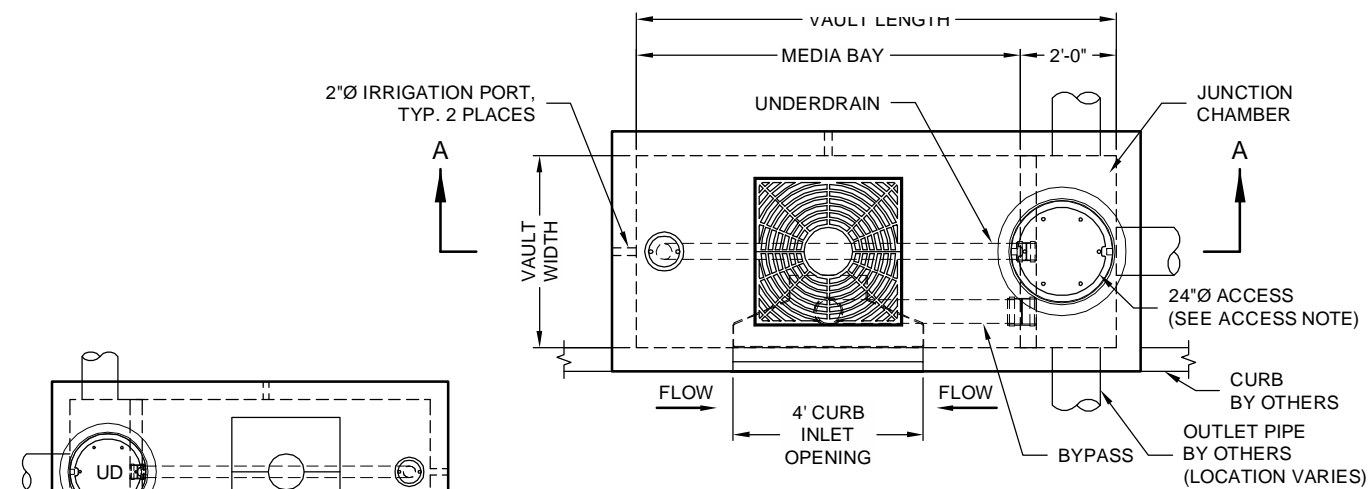
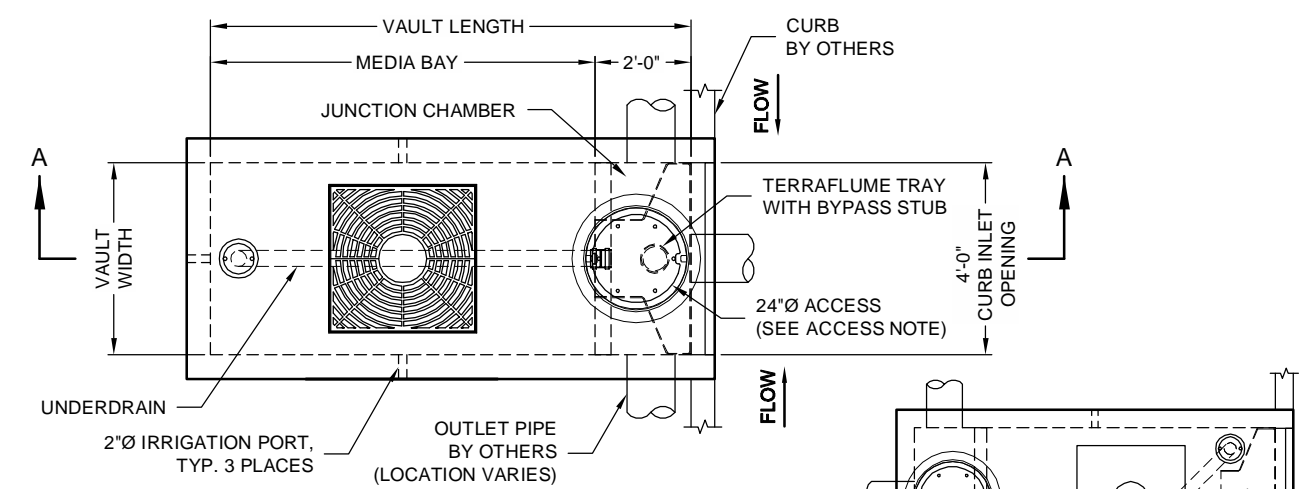


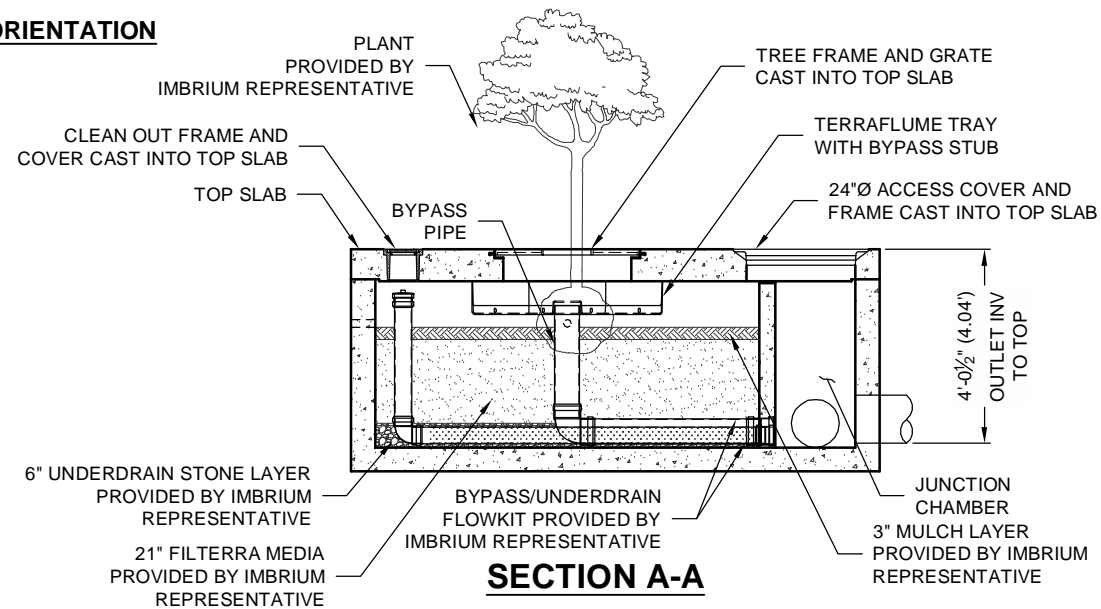
C:\USERS\KAHLBERG\DESKTOP\FTIBC-C - FILTERRA ONLINE BYPASS CHAMBER CONFIG DTL - LANGLEY.DWG 7/1/2019 3:02 PM



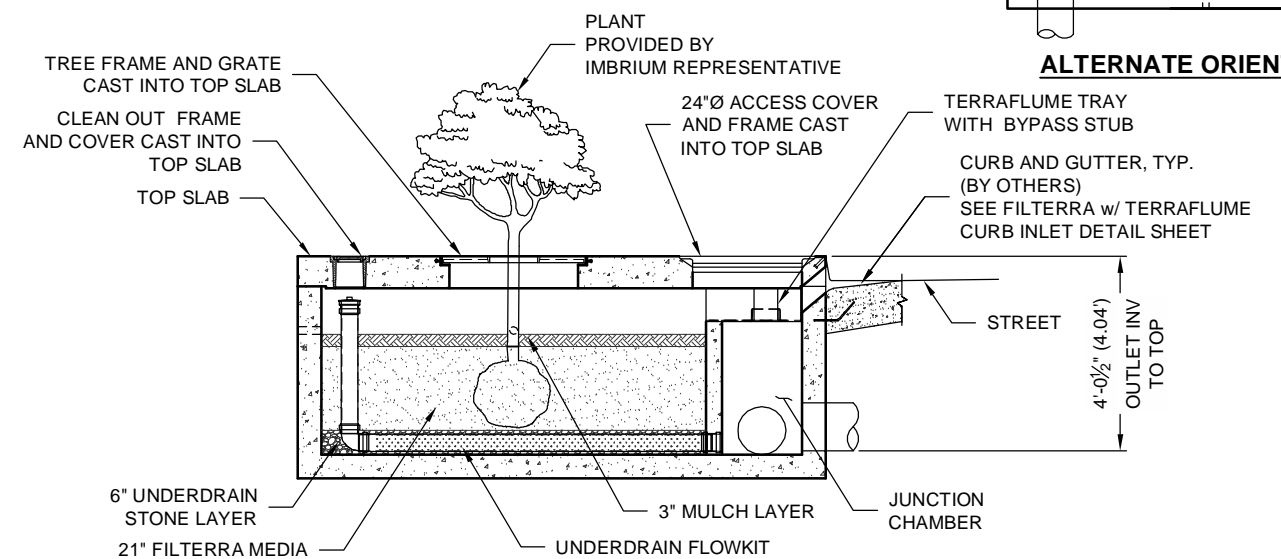
**PLAN VIEW**



**PLAN VIEW**



**SECTION A-A**



FTIBC-C LONG SIDE INLET CONFIGURATION						
UNIT NAME	MEDIA BAY SIZE	VAULT SIZE O.D. (L x W)	MAX. OUTLET/BYPASS PIPE DIA.	MAX. BYPASS FLOW (l/s)	UNDER-DRAIN PIPE DIA. (PERF)	TREE GRATE QTY & SIZE
FTIBC-C08504	1990 x 1150	2997 x 1459	8" SDR 35	53.5	4" SDR 35	(1) 914 x 914
FTIBC-C1005	2390 x 1500	3310 x 1810	8" SDR 35	53.5	4" SDR 35	(1) 914 x 914
FTIBC-C1206	3050 x 1830	4060 x 2200	10" SDR 35	67.1	6" SDR 35	(2) 1219 x 1219
FTIBC-C1307	3390 x 2100	4330 x 2510	10" SDR 35	67.1	6" SDR 35	(2) 1219 x 1219
FTIBC-C165065	4390 x 2000	5410 x 2450	10" SDR 35	67.1	6" SDR 35	(2) 1219 x 1219
FTIBC SQUARE INLET CONFIGURATION (Not Shown)						
FTIBC-C0606	1800 x 1219	2113 x 2113	6" SDR 35	53.5	4" SDR 35	(1) 914 x 914

FTIBC-C SHORT SIDE INLET CONFIGURATION						
UNIT NAME	MEDIA BAY SIZE	VAULT SIZE O.D. (W x L)	MAX. OUTLET/BYPASS PIPE DIA.	MAX. BYPASS FLOW (l/s)	UNDER-DRAIN PIPE DIA. (PERF)	TREE GRATE QTY & SIZE
FTIBC-C04085	1150 x 2700	1459 x 2997	8" SDR 35	53.5	4" SDR 35	(1) 914 x 914
FTIBC-C0510	1500 x 3000	1810 x 3310	8" SDR 35	53.5	4" SDR 35	(1) 914 x 914
FTIBC-C0612	1830 x 3660	2200 x 4060	10" SDR 35	67.1	6" SDR 35	(2) 1219 x 1219
FTIBC-C0713	2100 x 4000	2510 x 4330	10" SDR 35	67.1	6" SDR 35	(2) 1219 x 1219
FTIBC-C065165	2000 x 5000	2450 x 5410	10" SDR 35	67.1	6" SDR 35	(3) 1219 x 1219

INTERNAL PIPE CONFIGURATION MAY VARY DEPENDING UPON OUTLET LOCATION.



THIS PRODUCT MAY BE PROTECTED BY ONE OR MORE OF THE FOLLOWING U.S. PATENTS: 6,271,274; 6,589,321; 7,626,496; 7,428,961; 7,833,412; RELATED FOREIGN PATENTS.



7037 Ridge Road, Suite 350, Hanover, MD 21076  
866-740-3318 410-796-5505 866-376-8511 FAX

**FILTERRA INTERNAL BYPASS CURB (FTIBC-C) WITH CHAMBER - CONFIGURATION DETAIL**  
THE LANGLEY CONCRETE GROUP

The design and information shown on this drawing is provided as a service to the project owner, engineer and contractor by Imbrium Systems LLC or one of its affiliated companies ("Imbrium"). Neither this drawing, nor any part thereof, may be used, reproduced or modified in any manner without the prior written consent of Imbrium. Failure to comply is done at the user's own risk and Imbrium expressly disclaims any liability or responsibility for such use. If discrepancies between the supplied information upon which the drawing is based and actual field conditions are encountered as site work progresses, these discrepancies must be reported to Imbrium immediately for re-evaluation of the design. Imbrium accepts no liability for designs based on missing, incomplete or inaccurate information supplied by others.