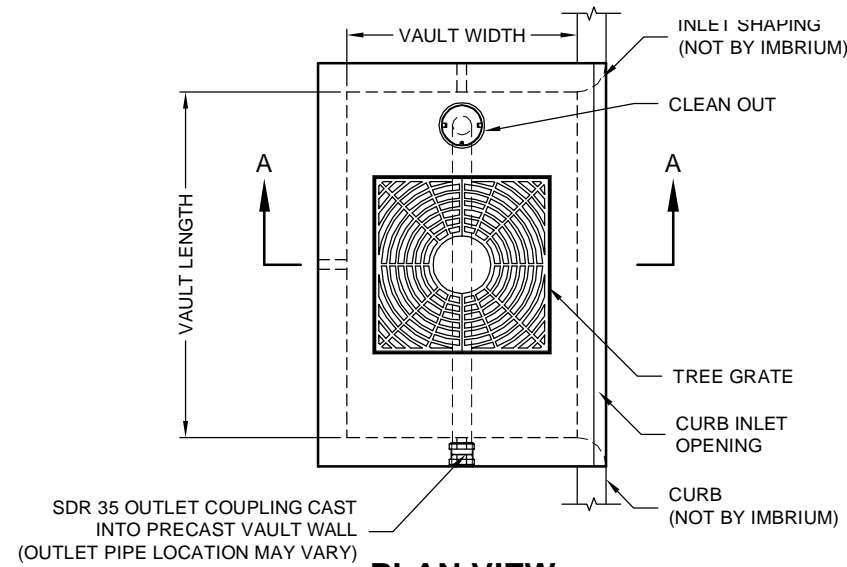
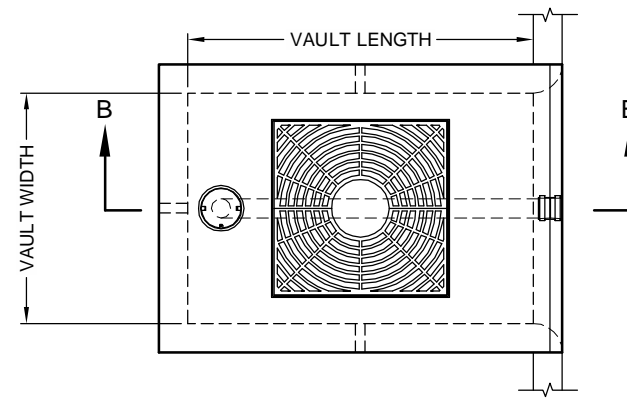


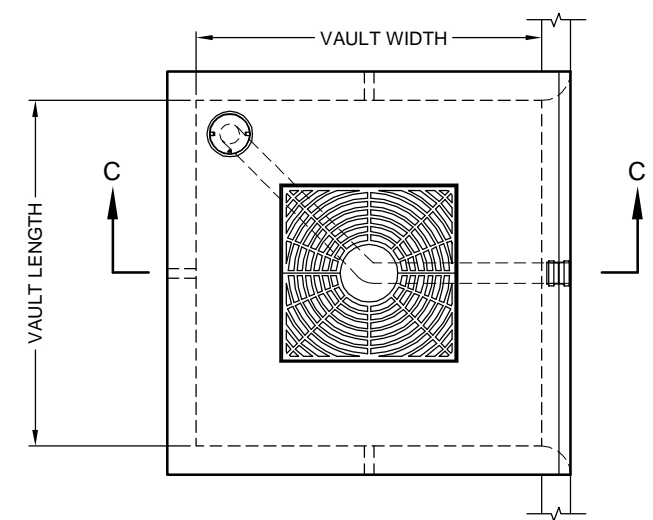
C:\USERS\KAHLENBERG\DESKTOP\FT - FILTERRA OFFLINE CONFIG DTL - LANGLEY.DWG 6/29/2019 4:50 PM



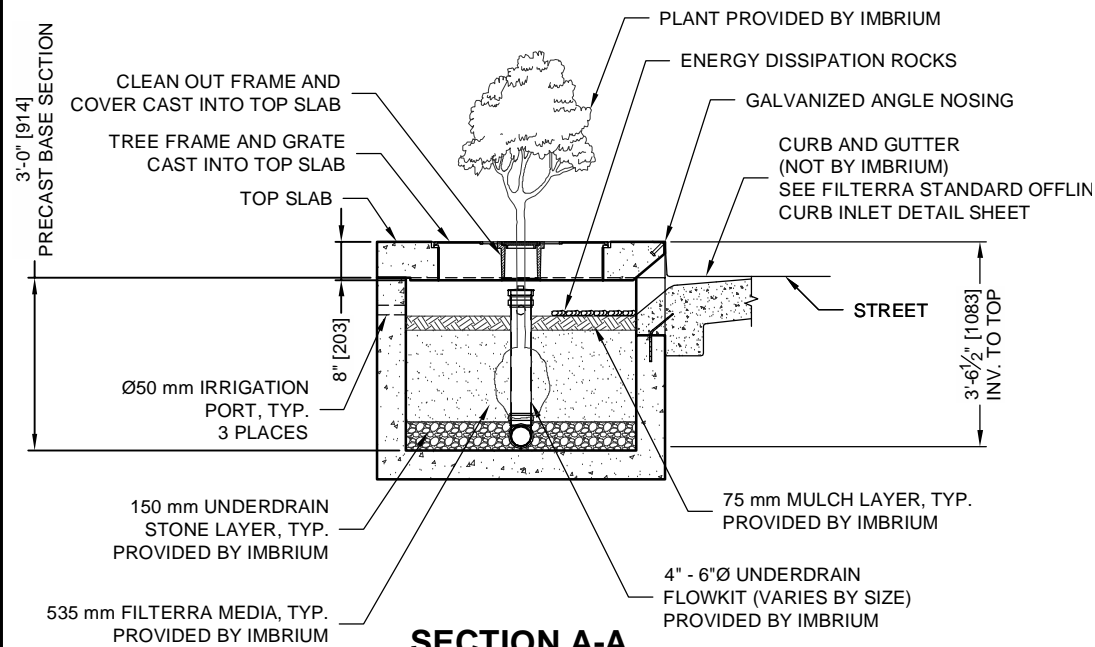
**PLAN VIEW**



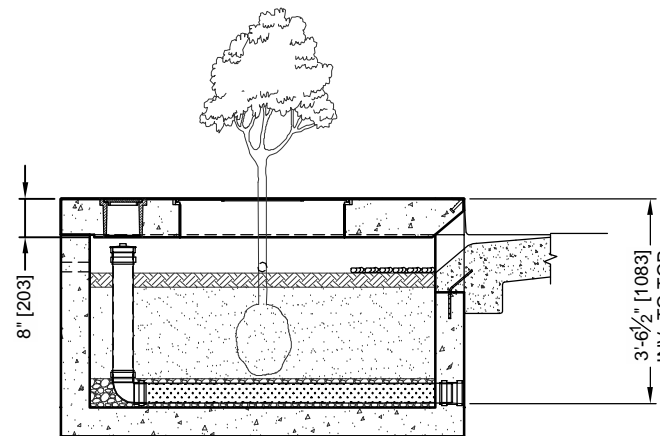
**PLAN VIEW**



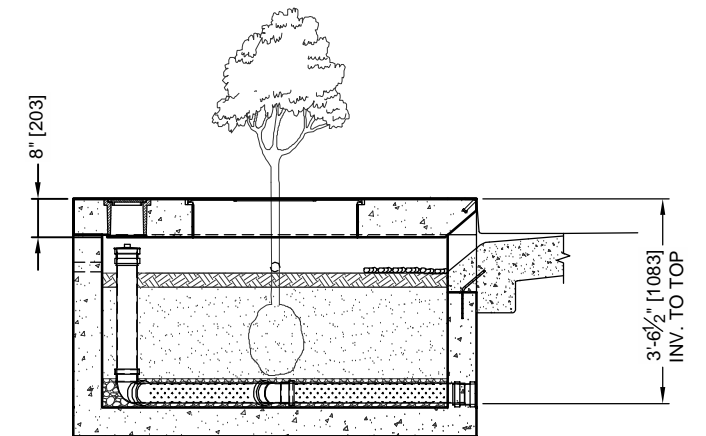
**PLAN VIEW**



**SECTION A-A**



**SECTION B-B**



**SECTION C-C**

FT LONG SIDE INLET CONFIGURATION				
DESIGNATION	MEDIA BAY SIZE	VAULT SIZE O.D. (L x W)	OUTLET PIPE DIA	TREE GRATE QTY & SIZE
FT08504	2700 x 1150	2997 x 1459	4" SDR 35	(1) 914 x 914
FT1005	3000 x 1500	3310 x 1810	4" SDR 35	(1) 914 x 914
FT1206	3660 x 1830	4060 x 2200	6" SDR 35	(2) 1219 x 1219
FT1307	4000 x 2100	4330 x 2510	6" SDR 35	(2) 1219 x 1219
FT165065	5000 x 2000	5410 x 2450	6" SDR 35	(3) 1219 x 1219

FT SHORT SIDE INLET CONFIGURATION				
DESIGNATION	MEDIA BAY SIZE	VAULT SIZE O.D. (W x L)	OUTLET PIPE DIA	TREE GRATE QTY & SIZE
FT04085	1150 x 2700	1459 x 2997	4" SDR 35	(1) 914 x 914
FT0510	1500 x 3000	1810 x 3310	4" SDR 35	(1) 914 x 914
FT0612	1830 x 3660	2200 x 4060	6" SDR 35	(2) 1219 x 1219
FT0713	2100 x 4000	2510 x 4330	6" SDR 35	(2) 1219 x 1219
FT065165	2000 x 5000	2450 x 5410	6" SDR 35	(3) 1219 x 1219

FT SQUARE INLET CONFIGURATION				
DESIGNATION	MEDIA BAY SIZE	VAULT SIZE O.D. (L x W)	OUTLET PIPE DIA	TREE GRATE QTY & SIZE
FT0404	1200 x 1200	1525 x 1525	4" SDR 35	(1) 914 x 914
FT0606	1800 x 1800	2113 x 2113	4" SDR 35	(1) 914 x 914

INTERNAL PIPE CONFIGURATION MAY VARY  
DEPENDING UPON OUTLET LOCATION.



THIS PRODUCT MAY BE PROTECTED BY ONE OR MORE OF THE FOLLOWING U.S. PATENTS: 8,277,274; 8,589,321; 7,626,495; 7,428,961; 7,833,412; RELATED FOREIGN PATENTS.



7037 Ridge Road, Suite 350, Hanover, MD 21076  
866-740-3318 410-796-5505 866-376-8511 FAX

**FILTERRA OFFLINE (FT)  
CONFIGURATION DETAIL  
THE LANGLEY CONCRETE GROUP**

The design and information shown on this drawing is provided as a service to the project owner, engineer and contractor by Imbrium Systems LLC or one of its affiliated companies ("Imbrium"). Neither this drawing, nor any part thereof, may be used, reproduced or modified in any manner without the prior written consent of Imbrium. Failure to comply is done at the user's own risk and Imbrium expressly disclaims any liability or responsibility for such use. If discrepancies between the supplied information upon which the drawing is based and actual field conditions are encountered as site work progresses, these discrepancies must be reported to Imbrium immediately for re-evaluation of the design. Imbrium accepts no liability for designs based on missing, incomplete or inaccurate information supplied by others.