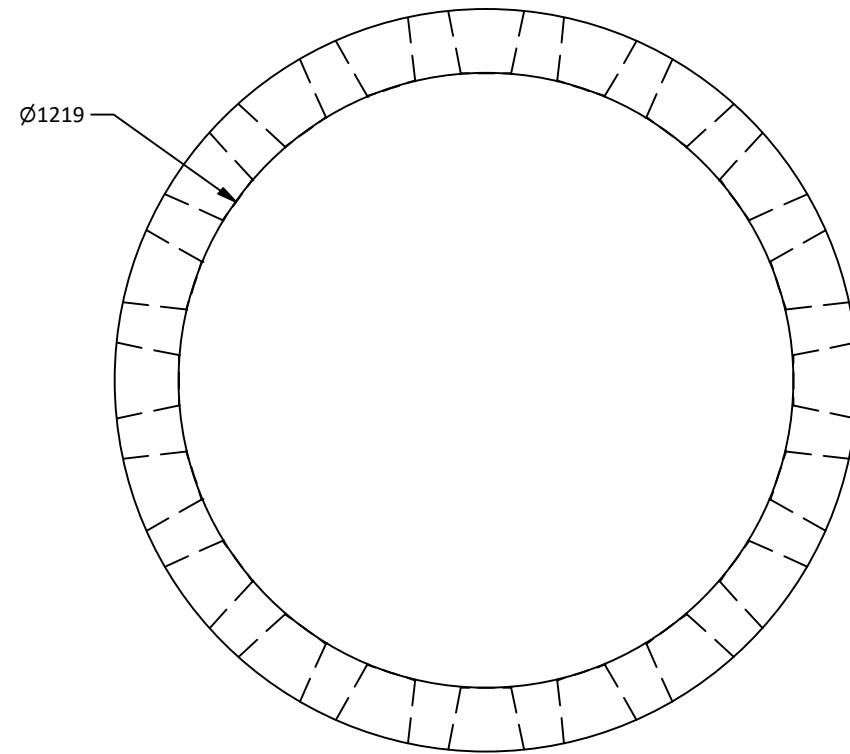
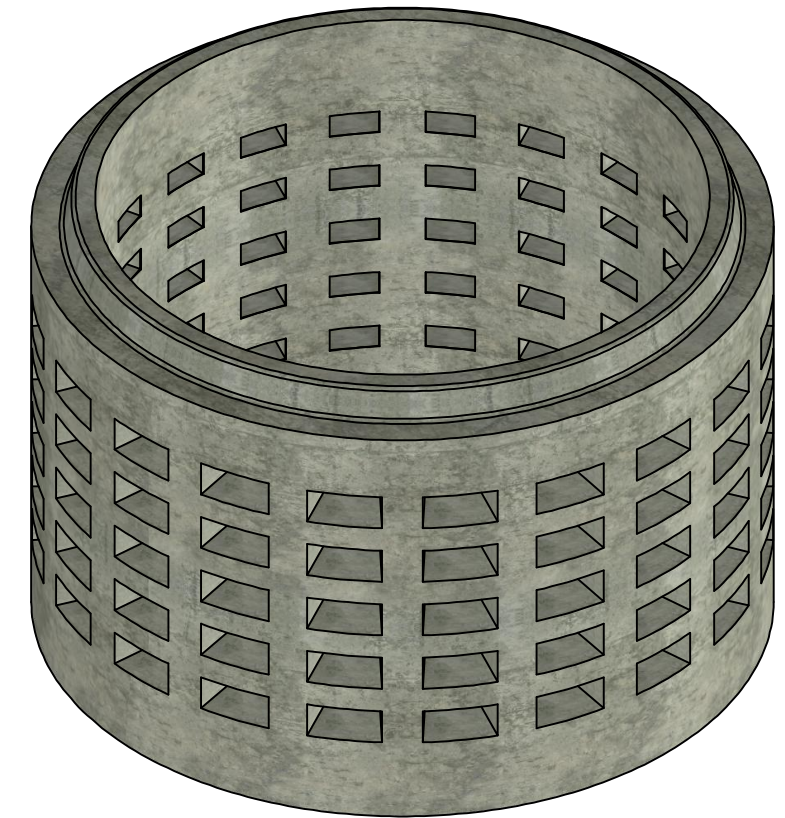


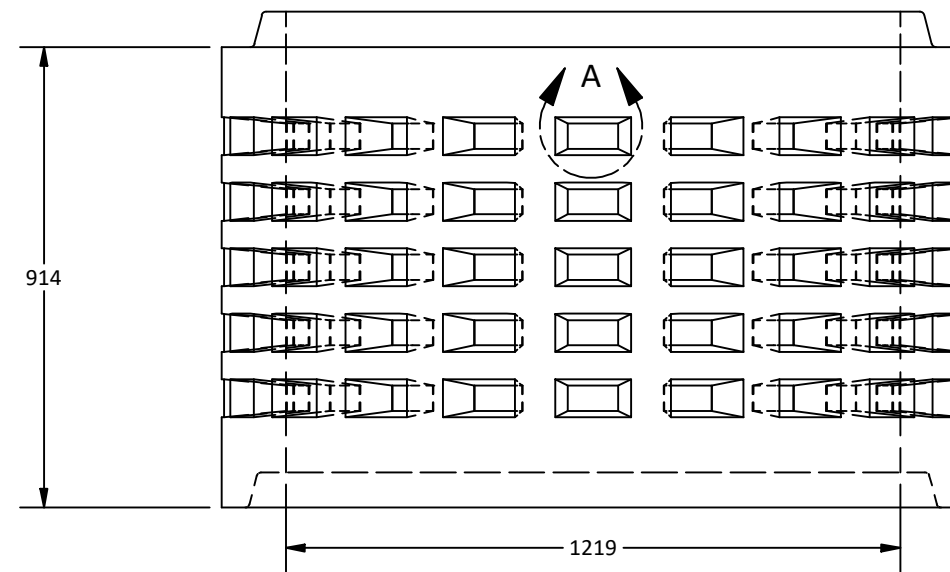
Detail A
Scale 1:2



Plan View



Isometric View



Elevation View

Note:

1. 100- Rectangular openings per barrel circumference.
2. Drywell only available in 900 height.
3. Minimum concrete strength: 35 MPa.
4. All dimensions are in millimeters unless otherwise specified.

Amrize Canada Inc. BC Pipe and Precast are certified Q-Cast Plants, an American Concrete Pipe Association Third Party Certification for the manufacture of Pipe, Manhole, Box Culvert and Precast Items.



All Dimensions are in Millimeters. Unless otherwise Stated



www.amrize.com
CHILLIWACK 1-800 667-9600 / (604) 533-1656
DUNCAN (250) 478-9581

DESCRIPTION:

Ø1200 Drywell Barrel

Quality Assurance of products manufactured by Amrize Canada Inc. BC Pipe and Precast has been verified by the following third party certification programs.



Projection Method: THIRD ANGLE



This drawing is the property of the Amrize Canada Inc. All information contained here in is confidential and may not be used in whole or in part without written permission from the owner.

DRAWN BY: SR	DWG NO.:
CHK BY: MP	JOB NO.: DW-1
DATE: 11-Jul-25	SO NO.:
SCALE: 1:15	REV.:
SIZE: 11 x 17	SHEET 1 OF 1