

**Notes:**

1. Box culverts are manufactured to ASTM C1433/C1433M specification.
2. Box culverts designed for required design codes. Can be design and manufactured for ASTM C1433, AASHTO, CHBDC & BC MOTI specifications.
3. Unit supplied with lifting inserts, see Starcon lifting information from our website.
4. Unit supplied with TSS gaskets, see HK TSS gasket info from our website.
5. Various fish baffle configurations are available due to design requirements. Please contact Sales for more information.
6. All dimensions are in millimeters unless otherwise specified.

Amrize Canada Inc. BC Pipe and Precast are certified Q-Cast Plants, an American Concrete Pipe Association Third Party Certification for the manufacture of Pipe, Manhole, Box Culvert and Precast Items.



All Dimensions are in Millimeters. Unless otherwise Stated



www.amrize.com  
 CHILLIWACK 1-800 667-9600 / (604) 533-1656  
 DUNCAN (250) 478-9581

This drawing is the property of the Amrize Canada Inc. All information contained here in is confidential and may not be used in whole or in part without written permission from the owner.

DESCRIPTION:

**TSS Gasketed Joint Precast Concrete Box Culvert with Fish Baffle**

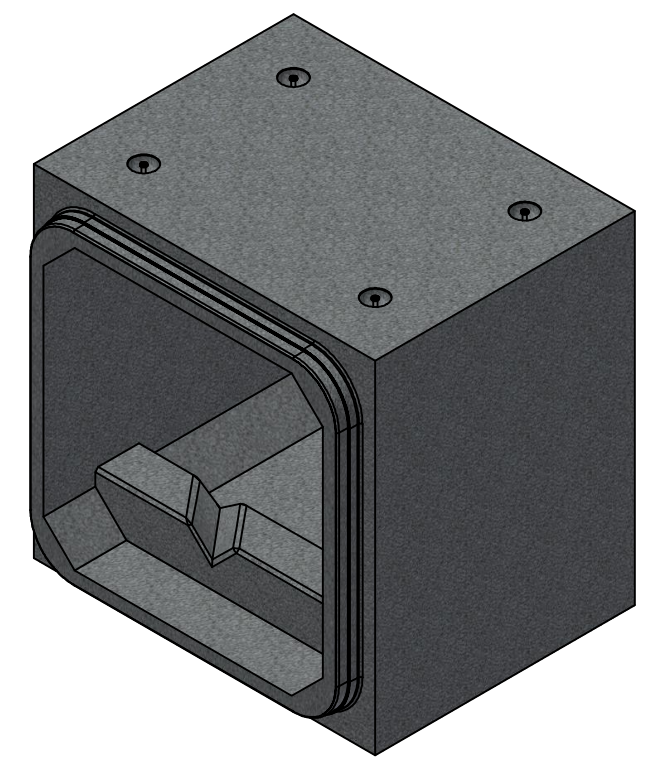
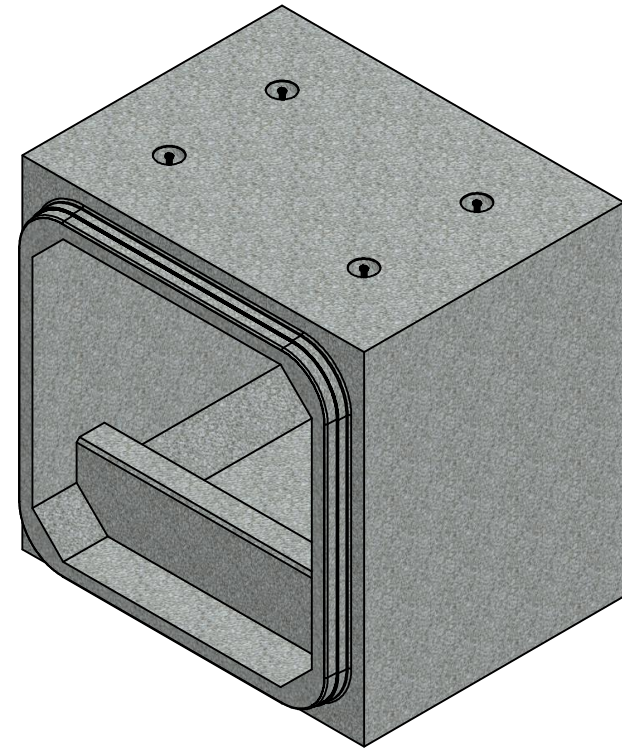
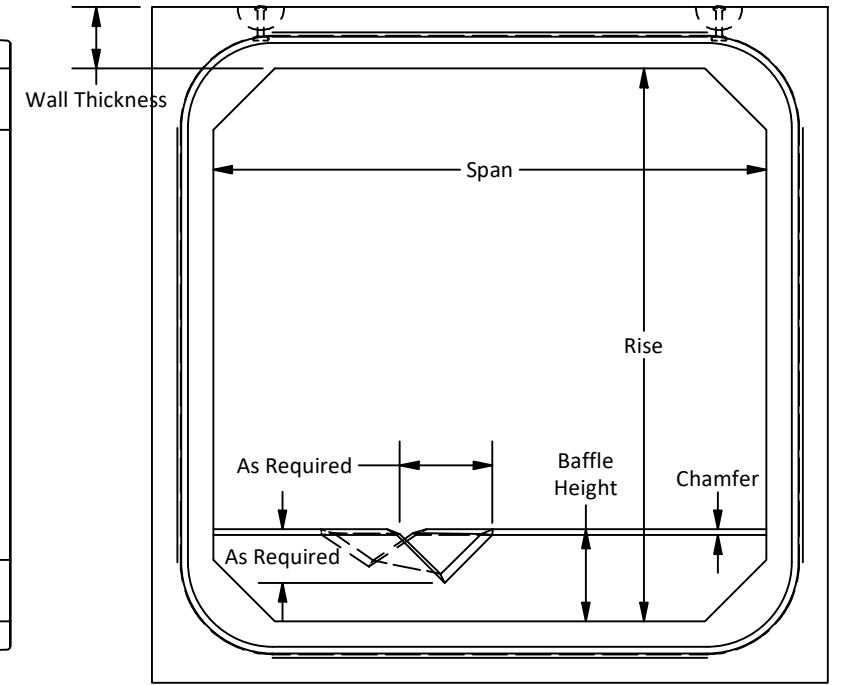
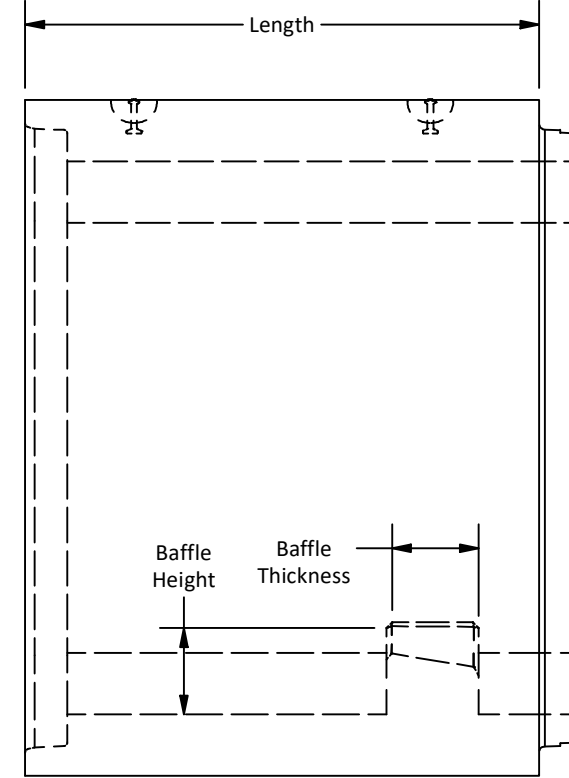
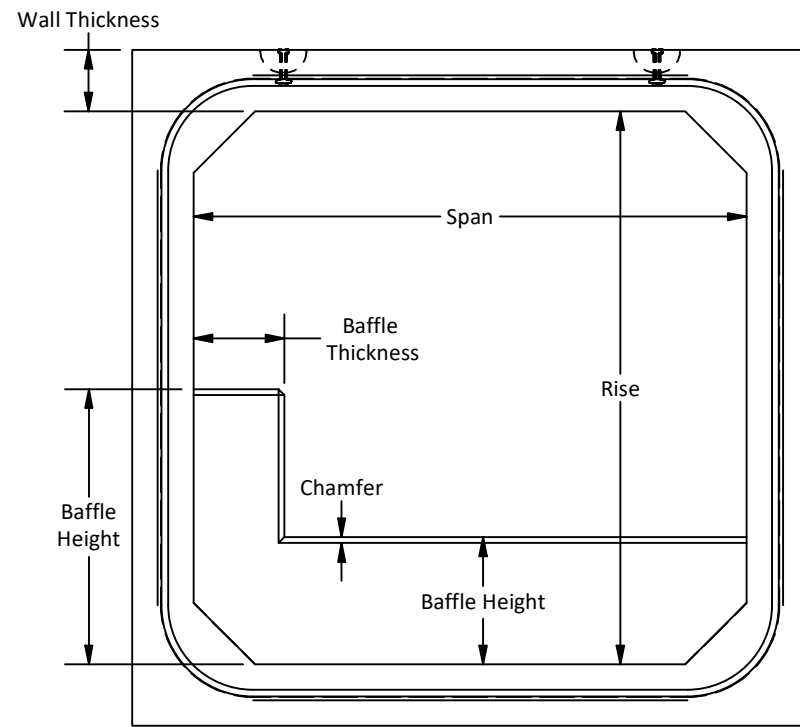
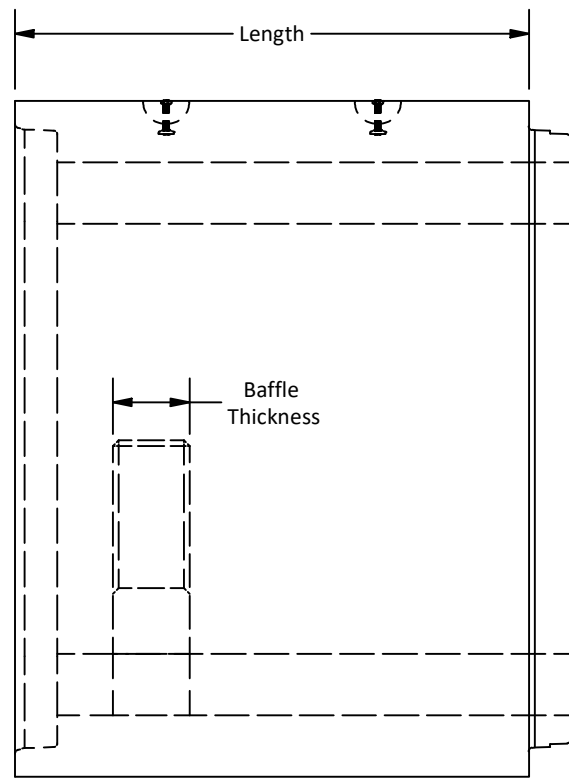
Quality Assurance of products manufactured by Amrize Canada Inc. BC Pipe and Precast has been verified by the following third party certification programs.



Projection Method: THIRD ANGLE



DRAWN BY: SR	DWG NO.: Box-CFB
CHK BY: MP	JOB NO.:
DATE: 11-Jul-25	SO NO.: N/A
SCALE: 1:25	REV.:
SIZE: 11 x 17	SHEET 1 OF 3



Amrize Canada Inc. BC Pipe and Precast are certified Q-Cast Plants, an American Concrete Pipe Association Third Party Certification for the manufacture of Pipe, Manhole, Box Culvert and Precast Items.



All Dimensions are in Millimeters. Unless otherwise Stated



www.amrize.com  
 CHILLIWACK 1-800 667-9600 / (604) 533-1656  
 DUNCAN (250) 478-9581

DESCRIPTION:

**TSS Gasketed Joint Precast Concrete  
 Box Culvert  
 with Fish Baffle**

DRAWN BY: SR  
 DWG NO.: Box-CFB

CHK BY: MP  
 JOB NO.:

DATE: 11-Jul-25  
 SO NO.: N/A

SCALE: 1:25  
 REV.:

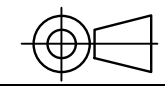
SIZE: 11 x 17

SHEET 2 OF 3

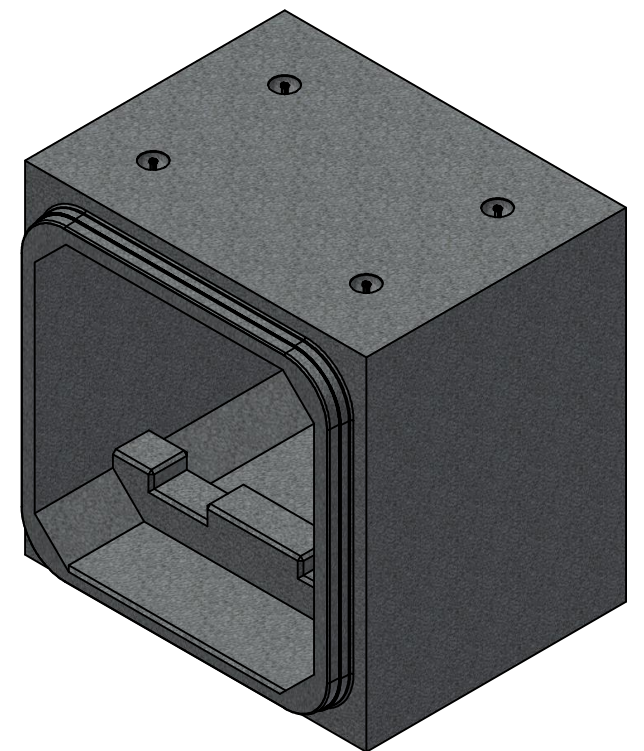
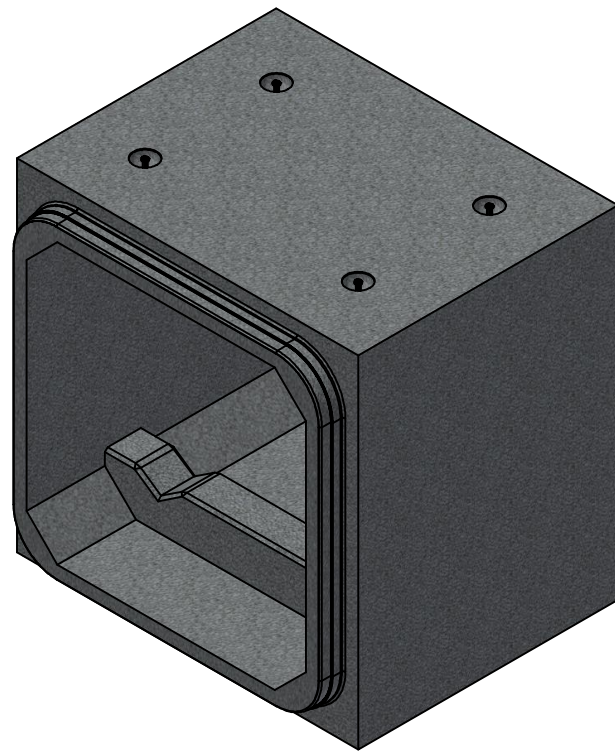
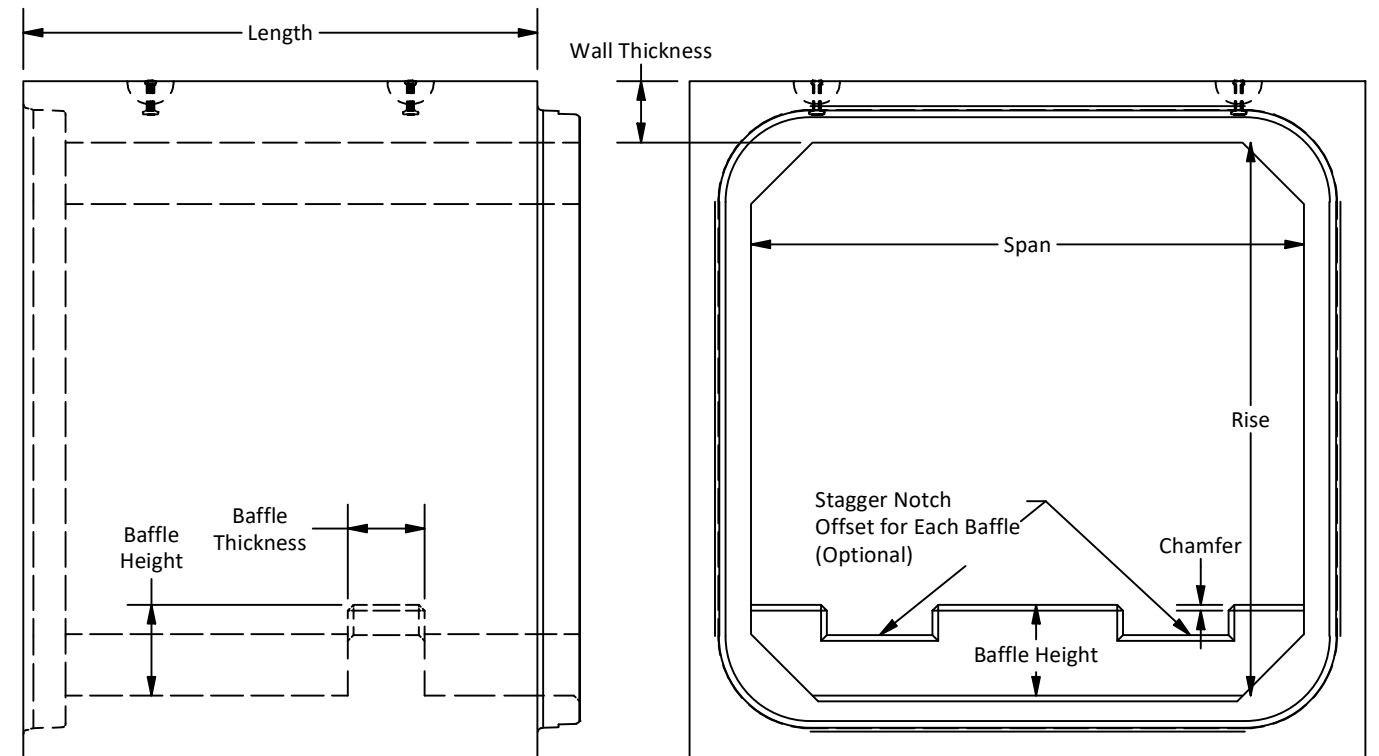
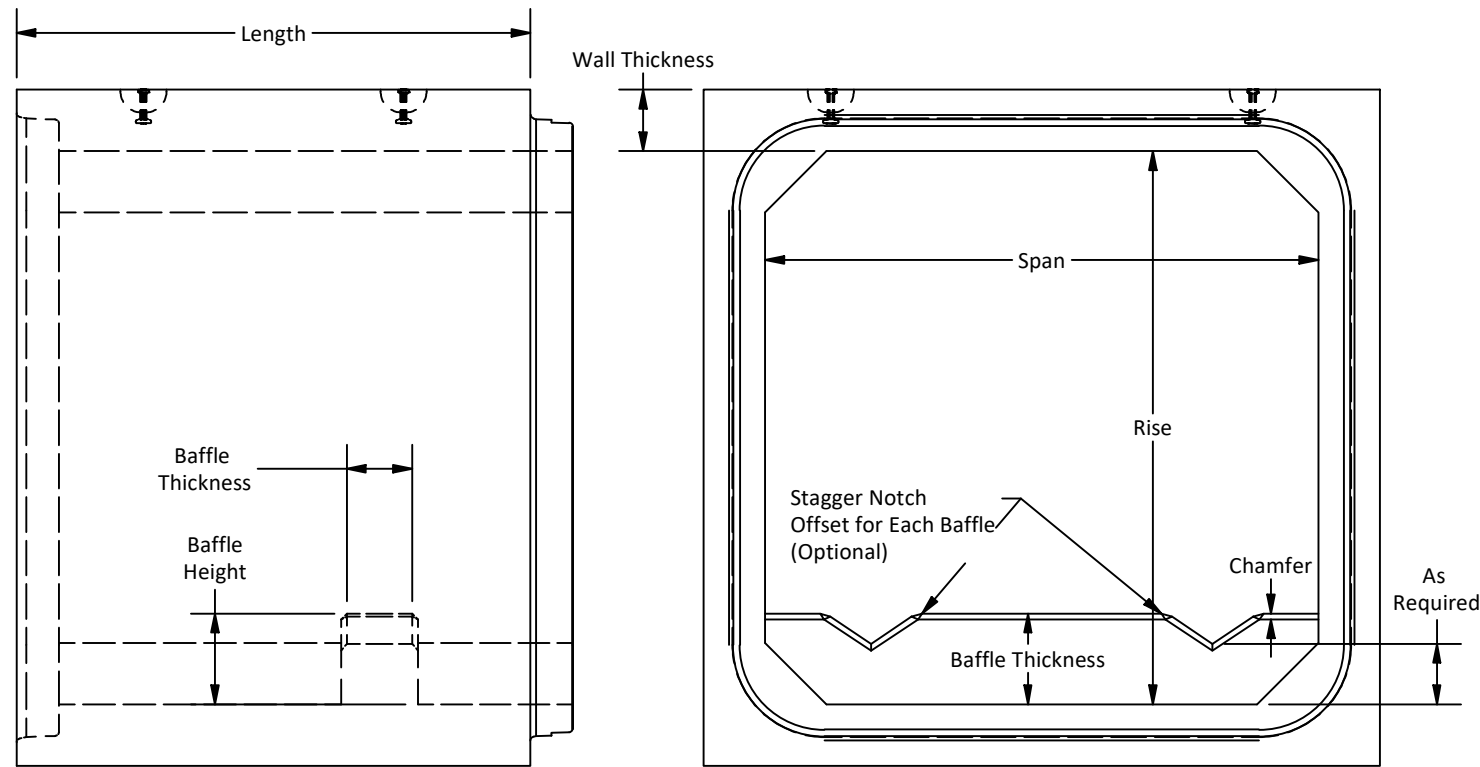
Quality Assurance of products manufactured by Amrize Canada Inc. BC Pipe and Precast has been verified by the following third party certification programs.



Projection Method: THIRD ANGLE



This drawing is the property of the Amrize Canada Inc. All information contained here in is confidential and may not be used in whole or in part without written permission from the owner.



Amrize Canada Inc. BC Pipe and Precast are certified Q-Cast Plants, an American Concrete Pipe Association Third Party Certification for the manufacture of Pipe, Manhole, Box Culvert and Precast Items.



All Dimensions are in Millimeters. Unless otherwise Stated



www.amrize.com  
CHILLIWACK 1-800 667-9600 / (604) 533-1656  
DUNCAN (250) 478-9581

DESCRIPTION:

TSS Gasketed Joint Precast Concrete  
Box Culvert  
with Fish Baffle

DRAWN BY: SR

DWG NO.: Box-CFB

CHK BY: MP

JOB NO.:

DATE: 11-Jul-25

SO NO.: N/A

SCALE: 1:25

REV.:

SIZE: 11 x 17

SHEET 3 OF 3

Quality Assurance of products manufactured by Amrize Canada Inc. BC Pipe and Precast has been verified by the following third party certification programs.



Projection Method: THIRD ANGLE



This drawing is the property of the Amrize Canada Inc. All information contained here in is confidential and may not be used in whole or in part without written permission from the owner.